

VIKING PRODUCT MANUAL

COMMUNICATION & SECURITY SOLUTIONS

Handsfree Speaker
Phones with Dialers

December 13, 2018

Provide Reliable and Intelligent Handsfree Communication!

The **E-30** and **E-32** handsfree phones are designed to provide quick and reliable handsfree communication and can be connected directly to a C.O. line or analog PBX/KSU station.

The **E-30** and **E-32** feature non-volatile memory, built in dialers, and intelligent call progress detection for automatic hang-up when a call is completed. They can be programmed to dial up to 5 different numbers on ring no answer or busy and can be configured to dial these numbers until answered.



E-30 / E-30-EWP
Flush mount with the included rough-in box



E-32 / E-32-EWP
Flush mount in a standard double gang electrical box (not included)



E-30 shown with optional VE-5x5 Surface Mount Box (sold separately)

Models **E-30-EWP** and **E-32-EWP** add Enhanced Weather Protection (EWP) for outdoor installations where the unit is exposed to precipitation or condensation. EWP products feature foam rubber gaskets, sealed connections, gel-filled butt connectors, as well as urethane or thermal plastic potted circuit boards with internally sealed, field-adjustable trim pots and DIP switches for easy on-site programming. For more information on Enhanced Weather Protection, see **DOD 859**.

Features

- **Automatic Noise Canceling (ANC) feature for clear audio - even in noisy environments**
- **Vandal Resistant Features:** 14 gauge louvered 316 brushed stainless steel faceplate with permanent laser etched graphics, speaker/mic screen, heavy duty metal "Call" button and T-10 Torx security mounting screws and drive bit
- **Weather Resistant Features:** Marine grade 316 stainless steel faceplate, screws and push button switch. Switch internally sealed per IP67. Mylar speaker. Self-draining mic mount. Faceplate, mic and speaker gaskets. Weather resistant powder paint on optional **VE-5x5 (DOD 424)**.
- Telephone line powered
- Non-volatile memory (no batteries required)
- Programmable to dial up to 5 numbers on busy / ring no answer
- Blue off-hook LED indicator
- Volume adjustments for microphone and speaker
- Advanced call progress detection: disconnects on busy signal, return to dial tone, CPC, reorder tone, maximum call time out and programmable silence time out
- Selectable auto-answer feature for monitoring
- Extended temperature range (-30°F to 150°F)
- **E-30** Flush mounts using the included rough-in box or surface mount using an optional **VE-5x5** surface mount box, sold separately (**DOD 424**)
- **E-30-EWP** and **E-32-EWP** are designed to meet IP66 Ingress Protection Rating (see **DOD 859** for more information)
- **E-32** flush mounts in a standard double gang box (not included)
- Optional **PB-1** Panic Button Kit (**DOD 233**)
- Also available with VoIP interface, see **DOD 248** for more information

Applications

Non-ADA Hot-Line Phone for:

- Elevators
- ATM machines
- Stadiums
- Parking lots
- Convention centers
- Parking ramps

Gate and Door Entry Phone for:

- Building lobbies
- Residences
- Silent holdup alarm dialer using optional Viking PB-1
- Pedestrian gates
- Businesses

CAUTION - When installing on an analog extension of a phone system: Some phone systems do not conform to analog telecom standards and might not be compatible with the **E-30** or **E-32** speaker phones. For a detailed description of the telephone line specifications required for any of the **E-30** or **E-32** phones, see **DOD 869**.

Note: Areas with loud background noise may require the push to talk version: **E-30-PT** or **E-30-PT-EWP**.

Specifications

Power: Telephone line powered. Minimum 24V DC talk battery voltage, with a minimum loop current of 20mA loop. Loop current may be boosted on low current lines with a Viking **TBB-1B** Talk Battery Booster (**DOD 632**).

Minimum Ring Voltage: 25VAC RMS

REN #: 0.5A

Dimensions: Overall: 5" x 5" x 2.25" (127mm x 127mm x 57mm)

Plastic Electrical Box: 4" x 4" x 2.12" (102mm x 102mm x 54mm)

Shipping Weight: 2.2 lbs (1 Kg)

Operating Temperature: -30°F to 150°F (-34°C to 65°C)

Humidity - E-30 / E-32: 5% to 95% non-condensing

Humidity - E-30-EWP / E-32-EWP: Up to 100% condensing

Connections: Gel-filled butt connectors

Features Overview

Mounting Screws: (4) 6-32 x 3/4" Marine grade 316 stainless steel, flat head, T-10 Torx security screws and drive bit (included).

Faceplate: Heavy duty 14 gauge Marine grade 316 stainless steel faceplate.

LED: Lights blue for "In-Use" indication.

Laser Etched Graphics: For long lasting easy to read graphics.

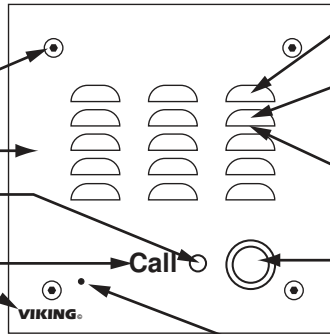
Microphone: Omni-directional microphone with protective water-resistant cloth.

Speaker: Mylar speaker with rubber gasket to maintain water-tight seal and eliminate water deterioration.

Speaker Screen: Stainless steel speaker screen with 0.018" diameter holes to prevent punctures from paperclips, etc.

Push Button Switch: Push to initiate call, push again to disconnect. Solid 316 stainless steel internally sealed per IP67.

Condensation Drain Hole



DIP Switches (see page 6):

- 1: Normal Audio Detection
- 2: Increased Audio Detection

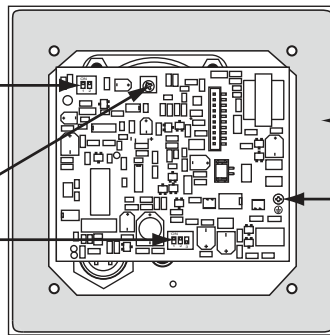
Speaker Volume

DIP Switches (see page 6):

- 1: Push Button Feature (connect / disconnect)
- 2: Auto Answer Feature (on/off)
- 3: Programming Switch (normal/programming)

Faceplate Gasket: 1/8" thick closed cell PVC to provide a water-tight seal.

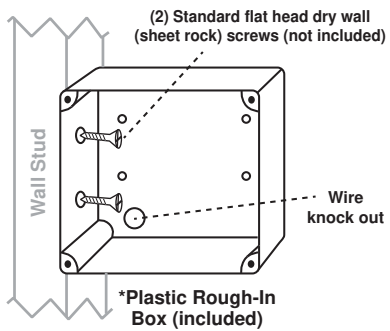
Earth Ground: To increase surge protection, loosen the screw labeled ⊕ (as shown) and fasten a wire with ring terminal (included) from the mounting screw to Earth Ground (grounding rod, water pipe, etc.)



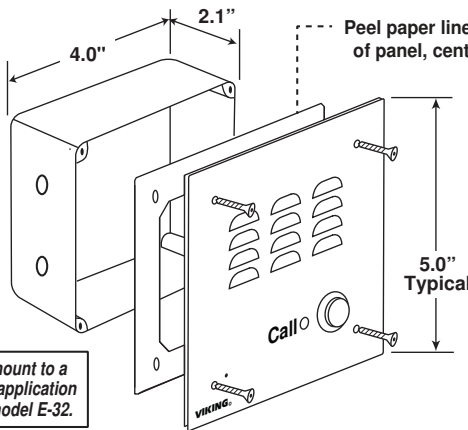
Installation

IMPORTANT: Electronic devices are susceptible to lightning and power station electrical surges from both the AC outlet and the telephone line. It is recommended that a surge protector be installed to protect against such surges.

A. E-30 / E-30-EWP

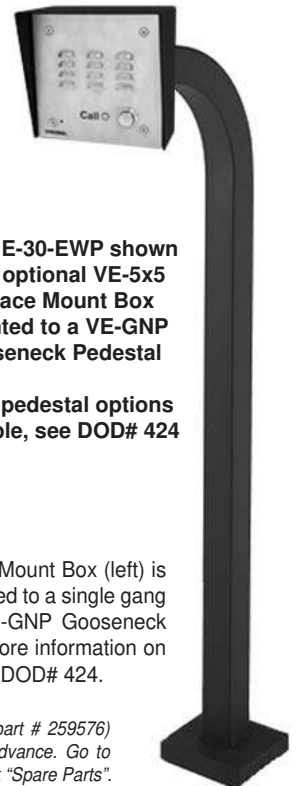


*Plastic Rough-In Box (included)



Peel paper liner and adhere gasket to back of panel, centering over mounting holes.

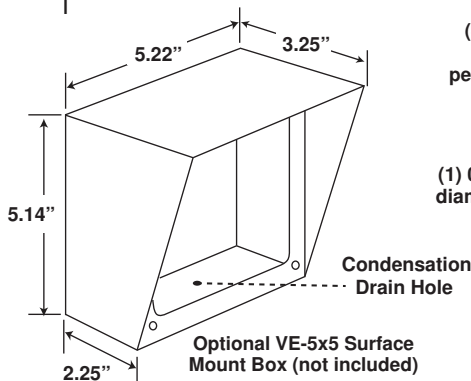
Note: When mounting outside to rough or uneven surfaces (brick, stucco, etc.) apply a bead of clear silicone around the top edge and sides of faceplate or VE-5X5.



Model E-30-EWP shown in an optional VE-5x5 Surface Mount Box mounted to a VE-GNP Gooseneck Pedestal

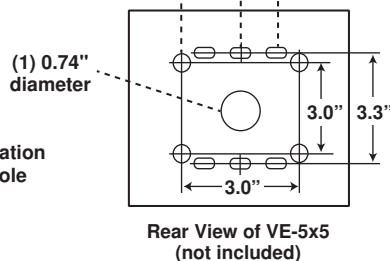
Other pedestal options available, see DOD# 424

OR
IMPORTANT: The E-30 will NOT mount to a standard double gang box. If your application requires a double gang box, see model E-32.



Optional VE-5x5 Surface Mount Box (not included)

- (4) 0.38" diameter (for gooseneck pedestal mounting)
- (2) 0.2 x 0.43 slots for single gang box
- (4) 0.2 x 0.43 slots for double gang box



Rear View of VE-5x5 (not included)

The optional VE-5x5 Surface Mount Box (left) is designed to be surface mounted to a single gang box, double gang box or VE-GNP Gooseneck Pedestal (shown right). For more information on the VE-5x5 and VE-GNP, see DOD# 424.

* **Note:** The plastic rough-in box (part # 259576) may be purchased separately in advance. Go to www.vikingelectronics.com and click "Spare Parts".

Caution: When warm air comes in contact with cold surfaces, such as outside walls and conduits, it causes condensation. To prevent condensation from accumulating inside the E-30/32 always bring conduit into the bottom of the unit. If this is not possible, drill a 1/4" diameter hole in the bottom of the gray plastic box.

B. E-32 / E-32-EWP

The **E-32** is designed to be flush mounted to a standard double gang electrical box with minimum dimensions of: 3.65"W x 2.84"H x 2.25"D.

Note: When mounting outside to rough or uneven surfaces (brick, stucco, etc.) apply a bead of clear silicone caulking around the top edge and sides of faceplate. For surface mount applications, use model **E-30** or **E-30-EWP** with a **VE-5x5** surface mount box.

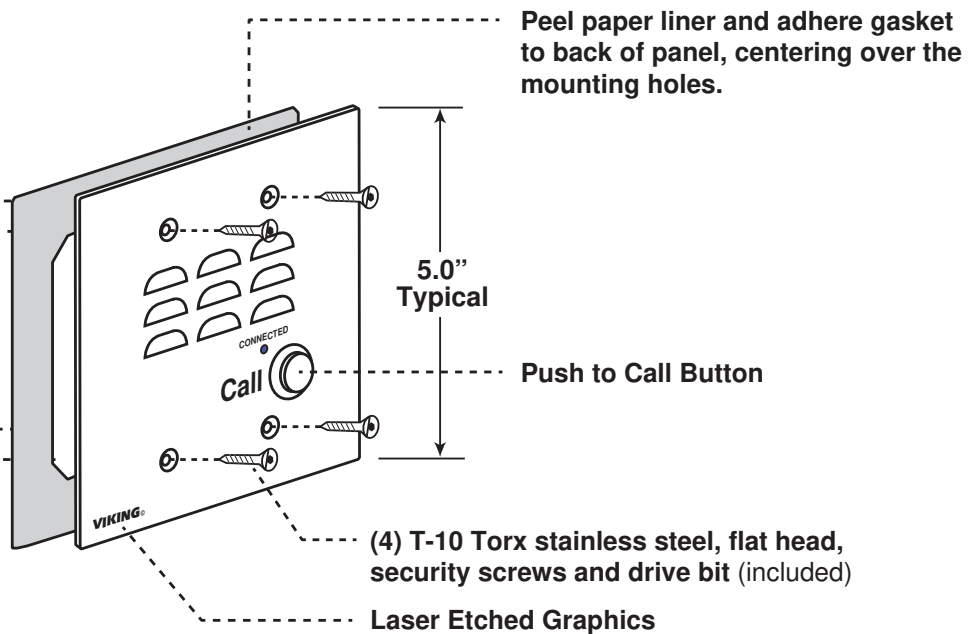
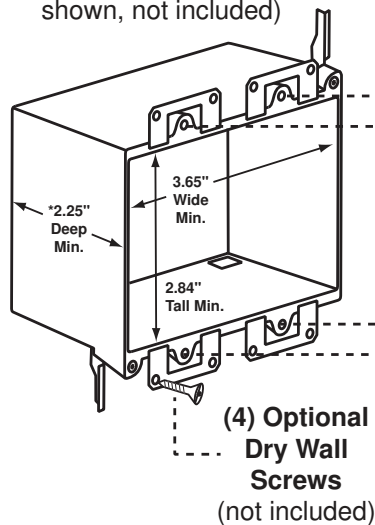
Dimensions: Overall: 5" x 5" x 2.25" (127mm x 127mm x 57mm)

Faceplate: 14 gauge 316 stainless steel with #4 brushed finish

Shipping Weight: 2.12 lbs (1.0 kg)

"Old Work" Double Gang Rough-In Box

(Allied Molded 9312 box
shown, not included)

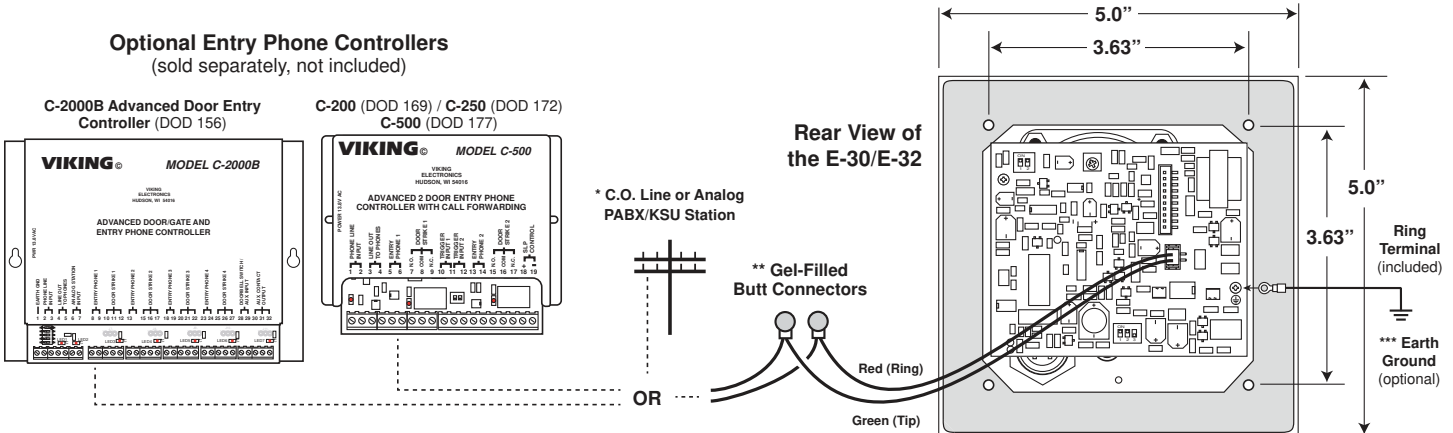


* **Caution:** Excessive wire length and/or using a rough-in box with inadequate depth can apply force to the circuit board causing physical damage.

Important: When warm air comes in contact with cold surfaces, such as outside walls and conduits, it causes condensation. To prevent condensation from accumulating inside the **E-1600-32A** always bring conduit into the bottom of the unit. If this is not possible, drill a 1/4" diameter hole in the bottom of the double gang box.

Wiring

! **IMPORTANT:** Electronic devices are susceptible to lightning and power station electrical surges from both the AC outlet and the telephone line. It is recommended that a surge protector be installed to protect against such surges.



*** Note:** When installing a line powered phone on a low voltage and/or low loop current phone system extension, a **TBB-1B** Talk Battery Booster may be required, see **DOD 632**.

**** Note:** The gel-filled (water-tight) butt connectors are designed for insulation displacement on 19-26 gauge wire with a maximum insulation of 0.082 inches. Cut off bare wire ends prior to terminating.

***** Note:** To increase surge protection, loosen the PCB mounting screw labeled (as shown above) and fasten a wire with spade terminal (included) from the mounting screw to Earth Ground (grounding rod, water pipe, etc.)

Programming

A. Accessing the Programming Mode

The **E-30/32** phone can be programmed from any Touch Tone phone using a C.O. line, analog PABX/KSU station, or a **DLE-200B** Line Simulator. For more information on the **DLE-200B**, see **DOD 605**.

1. Using the Security Code

Step 1.	Move DIP switch 2 to the ON position (sets unit to answer incoming calls, see section H).
Step 2.	From a Touch Tone phone call the line attached to the E-30/32 phone.
Step 3.	When the E-30/32 phone answers, enter the 6-digit security code (factory set to 845464 , see section B). A double beep should then be heard indicating you have entered the programming mode.

2. Without the Security Code

Step 1.	Move DIP switch 2 to the ON position (sets unit to answer incoming calls, see section H).
Step 2.	Move DIP switch 3 to the OFF position (incoming calls enter Programming without security code, see section H).
Step 3.	From a Touch Tone phone call the line attached to the E-30/32 .
Step 4.	When the E-30/32 answers, a double beep will be heard and will automatically enter the programming mode.
Step 5.	When finished programming, move DIP switch 3 back to the ON position (see section H).

Warning: Failure to do step 5 above will cause the **E-30/32** phone to call Viking Technical Support instead of your programmed number. See Section **G**, Assisted Programming.

Note: If a valid memory position is entered, a double beep will be heard. Four beeps indicate an error.

B. Security Code (memory location #19)

The security code allows the user/installer to program the **E-30/32** phone while DIP switch **3** is in the **ON** (normal) position. The factory set security code is 845464 (V-I-K-I-N-G). It is recommended that the factory set security code be changed. **Example:** To store 123456 as the security code:

Step 1.	Access programming as shown in Programming section A above.
Step 2.	Enter 123456 #19 .
Step 3.	Hang-up.

Enter Your Security Code Here:

							#19
--	--	--	--	--	--	--	------------

Note: The security code must be 6 digits and cannot include a * or a #.

C. Quick Programming Features

Description	Enter Digits	+	Memory Location
First speed dial number	0-20 digits	then	#00
Second speed dial number	0-20 digits	then	#01
Third speed dial number	0-20 digits	then	#02
Fourth speed dial number	0-20 digits	then	#03
Fifth speed dial number	0-20 digits	then	#04
To add a * at any point in the dialing string	**		
To add a # at any point in the dialing string	*#		
To add a four second pause at any point in the dialing string	*7		
Miscellaneous options (factory set to 000210)	6 digits	then	#17
Timing/Dialing options (factory set to 234721)	6 digits	then	#18
Security code (factory set to 845464)	6 digits	then	#19
Exit programming and disconnect	#7		
Reset all programming to factory default settings	###		

D. Speed Dial Numbers

Note: Up to 20 digits can be stored in each dial position. Special features such as pause, mode change, touch tone * and # count as single digits.

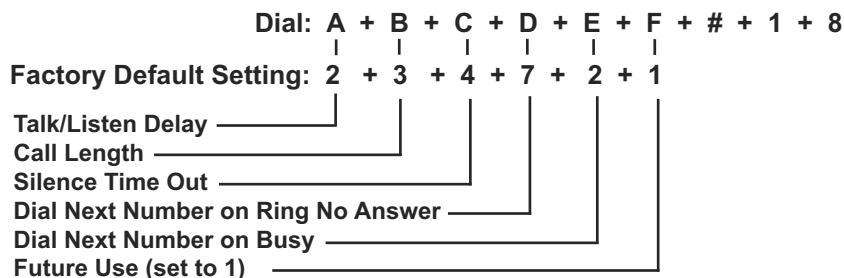
The speed dial number programmed in location #00 is the telephone or extension number that is dialed when the "Call" button is first pressed. Additional speed dial numbers will be dialed when there is no answer or a busy signal is detected and the next number redial features are activated. The E-30/32 will cycle through the programmed speed dial numbers until answered. To program, enter the desired speed dial number followed by the memory location number (#00 - #04).

To clear a speed dial location, simply enter the memory location (#00 - #04) alone. The E-30/32 is factory set with no speed dial number programmed.

To Program:	Enter:
*	**
#	*#
4 second pause	*7
0, 1, 2 ... 9	0, 1, 2 ... 9

E. Timing/Dialing Options (memory location #18)

There are six positions in the timing/dialing options. To program these options, enter the six desired timing/dialing numbers followed by #18. The six available timing/dialing options are defined as follows:



Enter Timing/Dialing Settings Here:

A	B	C	D	E	F		

#18

Setting A - Talk/Listen Delay

This feature selects switching time between talk and listen modes (VOX switching time). Use chart at the right. * **Note:** The factory default is .2 seconds.

Touch Tone	Talk/Listen Delay
1	0.1 seconds
2	0.2 seconds*
3	0.3 seconds
4	0.4 seconds
5	0.5 seconds
6	0.6 seconds
7	0.7 seconds
8	0.8 seconds
9	0.9 seconds

Setting B - Call Length Time Out

This feature selects the maximum length of time that calls can be connected. Programmable in increments of 1 minute up to a maximum of 9 minutes (Touch Tones 1 - 9). Program 0 in this location to disable the call length time out. With the call length disabled, the E-30/32 phone must rely on a CPC signal, busy signal, silence or return to dial tone to hang-up. Use chart at the right.

* **Note:** The factory default is 3 minutes.

Touch Tone	Call Length Time Out
0	Disabled
1	1 minute
2	2 minutes
3	3 minutes*
4	4 minutes
5	5 minutes
6	6 minutes
7	7 minutes
8	8 minutes
9	9 minutes

Setting C - Silence Time Out

This feature selects the length of time that calls will remain connected without voice activity. Programmable in increments of 10 seconds up to a maximum of 90 seconds (Touch Tones 1 - 9). To disable the silence time out, program 0 in this location. Use chart at the far right. * **Note:** *The factory default is 40 seconds.*

Touch Tone	Silence Time Out
0	Disabled
1	10 seconds
2	20 seconds
3	30 seconds
4	40 seconds*
5	50 seconds
6	60 seconds
7	70 seconds
8	80 seconds
9	90 seconds

Setting D - Dial Next Number on Ring No Answer

If enabled and a ring-no-answer is detected, the **E-30/32** phone will dial the next programmed speed dial number, and continue to cycle through the speed dial numbers until a call is completed.

* **Note:** *Factory set to redial if not answered after 7 rings.*

Touch Tone	Setting D
1 or 0	Disabled*
2, 3, 4...9	Dials second number after 2, 3, 4...9 rings respectively

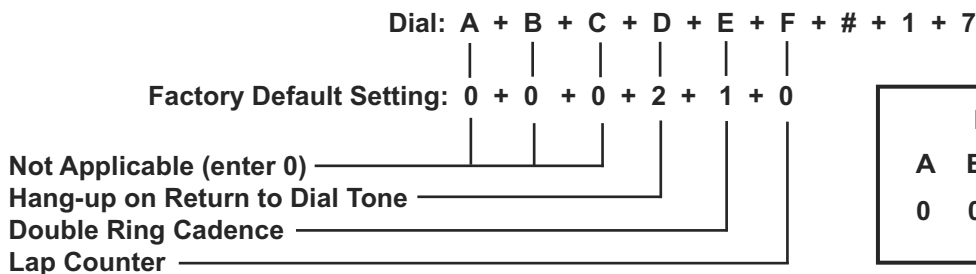
Setting E - Dial Next Number on Busy

If enabled and a busy is detected, the **E-30/32** phone will dial the next programmed speed dial number, and continue to cycle through the numbers until a call is completed. * **Notes:** *This feature is enabled in the factory default setting. If the busy signal is interrupted with a promotional message, contact your central office to have it removed.*

Touch Tone	Setting E
1	Disabled
2	Enabled*

Setting F - Future Use (set to 1)

F. Miscellaneous Options (memory location #17)



Enter Settings Here:

A	B	C	D	E	F	#17
0	0	0				

Settings A / B / C - Not Applicable

Setting D - Hang Up on Return to Dial Tone

If enabled and a return dial tone is detected, the **E-30/32** will hang up.

* **Note:** *The factory default setting is enabled.*

Touch Tone	Setting D
1	Disabled
2	Enabled*

Setting E - Double Ring Cadence Mode

The **E-30/32** can be programmed to recognize the double ring cadence that is typical of many phone systems. If the **E-30/32** is connected to an extension that provides a double ring cadence, enabling this mode will allow for proper call progress detection.

* **Note:** *This feature is disabled in the factory default setting.*

Touch Tone	Setting E
1	Disabled*
2	Enabled

Setting F - Lap Counter

With the lap counter disabled (factory setting), if the **E-30/32** is programmed to dial the next number on ring-no-answer and/or busy signal (see page 5 and 6), the **E-30/32** will continuously call its programmed phone numbers forever until the call is answered.

Touch Tone	Setting F
0	Disabled*
1-9	Lap count: 1-9 times

The lap counter is a programmable counter that determines how many times the **E-30/32** will cycle through its list of up to 5 numbers, before it stops the dialing process and hangs up. When all of the programmed phone numbers have been dialed, the lap counter is incremented and the dialing process repeats. When the lap counter has been met, the dialing process stops and the **E-30/32** hangs up. * **Note:** *This feature is disabled in the factory default setting.*

G. Assisted Programming

When attempting to program the **E-30/32** phone, if the phone number of the line it is connected to is not known, the phone can be set to automatically call Viking technical support for assistance. With DIP switch 3 set to OFF (programming mode), pushing the CALL button will cause the **E-30/32** phone to call Viking, whether it be connected directly to a CO line, or behind a "dial 9" PBX.

The **E-30/32** phone will first dial 9, and then listen for second dial tone; if detected it will continue to dial Viking's assisted programming phone number. If a second dial tone is not detected, it then knows it is not behind a PBX, so it will momentarily hang up and then directly dial Viking's assisted programming phone number. Since this is a long distance phone call, the line must be capable of placing long distance calls for the call to go through. When finished programming, it is very important to set DIP switch 3 back to ON (normal operating mode), and place a test emergency call to be sure all programming was done properly.

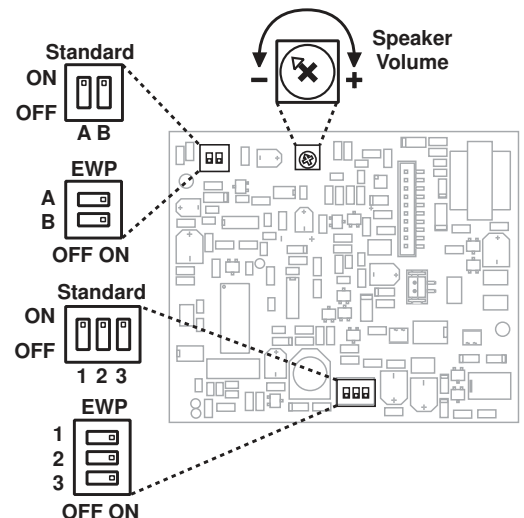
Warning: Failure to set DIP switch 3 back to ON when finished programming will cause the E-30/32 phone to call Viking Technical Support, instead of your programmed speed dial number. Yet, as a fail-safe measure, after 3 calls to Viking, the unit will ignore switch 3 and dial its programmed phone numbers.

H. DIP Switch Programming/Speaker and Microphone Adjustments

A speaker volume POT is provided to increase or decrease the speakerphone volume. **Note:** The Microphone Sensitivity POT has been removed because the microphone sensitivity is now microprocessor controlled. This allows the mic gain to be automatically increased in a quiet environment, allowing the distant party to clearly hear even soft or distant sounds. The microprocessor will automatically reduce the mic sensitivity when the location becomes noisy. This Automatic Noise Canceling (ANC) feature will allow speakerphone two-way communications to continue to work properly, even when subjected to loud noise such as a diesel engine or traffic.

Switch A	Switch B	Description
ON	ON	Normal audio detection
OFF	OFF	Increase audio detect sensitivity for low level lines. Useful in applications in which voice or busy signals have trouble breaking over the speaker.

Switch	Position	Description
1	ON	"CALL" button alternately connects/disconnects calls (factory default)
1	OFF	"CALL" button connects calls only
2	ON	Incoming calls answered (factory setting)
2	OFF	Incoming calls are not answered
3	ON	Normal operation mode (factory setting)
3	OFF	Learn mode - Any incoming calls are automatically entered into the programming mode (no security code required). Use this option if you have forgotten your security code. Any outbound call will dial Viking Technical Support (see section I). Warning: When finished programming, set this switch back to the ON position, otherwise the E-30/32 phone will only call Viking Technical Support instead of your programmed emergency number.



I. Programming Examples

To Program the E-30/32 Phone...	Step 1	Step 2
...to store 123456 as the security code	Access Programming (see page 3)	Enter digits: 1 2 3 4 5 6 # 1 9
...to store 555-1234 in the second speed dial position	Access Programming (see page 3)	Enter digits: 5 5 5 1 2 3 4 # 0 1
...to store a touch tone 9, a four second pause, and then a pulse dialed 333-4444 into the first speed dial position	Access Programming (see page 3)	Enter digits: 9 *7 *6 3 3 3 4 4 4 4 # 0 0

Operation

When the "Call" button is pressed, the **E-30/32** phone goes off-hook, and dials a pre-programmed telephone number. The front panel LED will light any time the phone is off hook, and flash to show dialing. In the event that the line is busy or there is a ring-no answer, the unit can be programmed to call additional phone numbers. The phone then cycles through up to 5 pre-programmed speed dial numbers until the call is answered. The **E-30/32** will hang up on CPC, silence, busy signal, return to dial tone, time out or Touch Tone command (*#). If programmed to auto-answer, the **E-30/32** will also answer any incoming call.

Warranty

Our Technical Support Department is available for assistance Monday through Friday, 8:00am - 5:00pm central time. So that we can give you better service, before you call please:

1. Know the model number, the serial number and what software version you have (see serial label).
2. Have your Product Manual in front of you.
3. It is best if you are on site.

RETURNING PRODUCT FOR REPAIR

The following procedure is for equipment that needs repair:

1. Customer must contact Viking's Technical Support Department to obtain a Return Authorization (RA) number. The customer MUST have a complete description of the problem, with all pertinent information regarding the defect, such as options set, conditions, symptoms, methods to duplicate problem, frequency of failure, etc.
2. Packing: Return equipment in original box or in proper packing so that damage will not occur while in transit. Static sensitive equipment such as a circuit board should be in an anti-static bag, sandwiched between foam and individually boxed. All equipment should be wrapped to avoid packing material lodging in or sticking to the equipment. Include ALL parts of the equipment. C.O.D. or freight collect shipments cannot be accepted. Ship cartons prepaid to:
Viking Electronics, 1531 Industrial Street, Hudson, WI 54016
3. Return shipping address: Be sure to include your return shipping address inside the box. We cannot ship to a PO Box.
4. RA number on carton: In large printing, write the R.A. number on the outside of each carton being returned.

RETURNING PRODUCT FOR EXCHANGE

The following procedure is for equipment that has failed out-of-box (within 10 days of purchase):

1. Customer must contact Viking's Technical Support at to determine possible causes for the problem. The customer MUST be able to step through recommended tests for diagnosis.
2. If the Technical Support Product Specialist determines that the equipment is defective based on the customer's input and troubleshooting, a Return Authorization (R.A.) number will be issued. This number is valid for fourteen (14) calendar days from the date of issue.
3. After obtaining the R.A. number, return the approved equipment to your distributor, referencing the R.A. number. Your distributor will then replace the product over the counter at no charge. The distributor will then return the product to Viking using the same R.A. number.
4. **The distributor will NOT exchange this product without first obtaining the R.A. number from you. If you haven't followed the steps listed in 1, 2 and 3, be aware that you will have to pay a restocking charge.**

TWO YEAR LIMITED WARRANTY

Viking warrants its products to be free from defects in the workmanship or materials, under normal use and service, for a period of two years from the date of purchase from any authorized Viking distributor. If at any time during the warranty period, the product is deemed defective or malfunctions, return the product to Viking Electronics, Inc., 1531 Industrial Street, Hudson, WI., 54016. Customer must contact Viking's Technical Support Department at 715-386-8666 to obtain a Return Authorization (R.A.) number.

This warranty does not cover any damage to the product due to lightning, over voltage, under voltage, accident, misuse, abuse, negligence or any damage caused by use of the product by the purchaser or others. This warranty does not cover non-EWP products that have been exposed to wet or corrosive environments. This warranty does not cover stainless steel surfaces that have not been properly maintained.

NO OTHER WARRANTIES. VIKING MAKES NO WARRANTIES RELATING TO ITS PRODUCTS OTHER THAN AS DESCRIBED ABOVE AND DISCLAIMS ANY EXPRESS OR IMPLIED WARRANTIES OR MERCHANTABILITY OR FITNESS FOR ANY PARTICULAR PURPOSE.

EXCLUSION OF CONSEQUENTIAL DAMAGES. VIKING SHALL NOT, UNDER ANY CIRCUMSTANCES, BE LIABLE TO PURCHASER, OR ANY OTHER PARTY, FOR CONSEQUENTIAL, INCIDENTAL, SPECIAL OR EXEMPLARY DAMAGES ARISING OUT OF OR RELATED TO THE SALE OR USE OF THE PRODUCT SOLD HEREUNDER.

EXCLUSIVE REMEDY AND LIMITATION OF LIABILITY. WHETHER IN AN ACTION BASED ON CONTRACT, TORT (INCLUDING NEGLIGENCE OR STRICT LIABILITY) OR ANY OTHER LEGAL THEORY, ANY LIABILITY OF VIKING SHALL BE LIMITED TO REPAIR OR REPLACEMENT OF THE PRODUCT, OR AT VIKING'S OPTION, REFUND OF THE PURCHASE PRICE AS THE EXCLUSIVE REMEDY AND ANY LIABILITY OF VIKING SHALL BE SO LIMITED.

IT IS EXPRESSLY UNDERSTOOD AND AGREED THAT EACH AND EVERY PROVISION OF THIS AGREEMENT WHICH PROVIDES FOR DISCLAIMER OF WARRANTIES, EXCLUSION OF CONSEQUENTIAL DAMAGES, AND EXCLUSIVE REMEDY AND LIMITATION OF LIABILITY, ARE SEVERABLE FROM ANY OTHER PROVISION AND EACH PROVISION IS A SEPARABLE AND INDEPENDENT ELEMENT OF RISK ALLOCATION AND IS INTENDED TO BE ENFORCED AS SUCH.

FCC REQUIREMENTS

This equipment complies with Part 68 of the FCC rules and the requirements adopted by the ACTA. Inside the front panel of this equipment is a label that contains, among other information, a product identifier in the format US:AAAEQ##TXXXX. If requested, this number must be provided to the telephone company.

The REN is used to determine the number of devices that may be connected to a telephone line. Excessive REN's on a telephone line may result in the devices not ringing in response to an incoming call. In most but not all areas, the sum of the REN's should not exceed five (5.0). To be certain of the number of devices that may be connected to a line, as determined by the total REN's, contact the local telephone company. For products approved after July 23, 2001, the REN for this product is part of the product identifier that has the format US:AAAEQ##TXXXX. The digits represented by ## are the REN without a decimal point (e.g., 03 is a REN of 0.3). For earlier products, the REN is separately shown on the label.

The plug used to connect this equipment to the premises wiring and telephone network must comply with the applicable FCC Part 68 rules and requirements adopted by the ACTA. If your home has specially wired alarm equipment connected to the telephone line, ensure the installation of this E-30/32 does not disable your alarm equipment. If you have questions about what will disable alarm equipment, consult your telephone company or a qualified installer.

If the E-30/32 causes harm to the telephone network, the telephone company will notify you in advance that temporary discontinuance of service may be required. But if advance notice isn't practical, the telephone company will notify the customer as soon as possible. Also, you will be advised of your right to file a complaint with the FCC if you believe it is necessary.

PART 15 LIMITATIONS

This equipment has been tested and found to comply with the limits for a Class A digital device, pursuant to Part 15 of the FCC Rules. These limits are designed to provide reasonable protection against harmful interference when the equipment is operated in a commercial environment. This equipment generates, uses, and can radiate radio frequency energy and, if not installed and used in accordance with the instruction manual, may cause harmful interference to radio communications. Operation of this equipment in a residential area is likely to cause harmful interference in which case the user will be required to correct the interference at his own expense.

The telephone company may make changes in its facilities, equipment, operations, or procedures that could affect the operation of the equipment. If this happens, the telephone company will provide advance notice in order for you to make the necessary modifications to maintain uninterrupted service.

If trouble is experienced with the E-30/32, for repair or warranty information, please contact:

Viking Electronics, Inc., 1531 Industrial Street, Hudson, WI 54016

If the equipment is causing harm to the telephone network, the telephone company may request that you disconnect the equipment until the problem is resolved.

Connection to Party Line Service is subject to State Tariffs. Contact the state public utility commission, public service commission or corporation commission for information.

WHEN PROGRAMMING EMERGENCY NUMBERS AND (OR) MAKING TEST CALLS TO EMERGENCY NUMBERS:

Remain on the line and briefly explain to the dispatcher the reason for the call. Perform such activities in the off-peak hours, such as early morning or late evenings.

It is recommended that the customer install an AC surge arrester in the AC outlet to which this device is connected. This is to avoid damaging the equipment caused by local lightning strikes and other electrical surges.

Due to the dynamic nature of the product design, the information contained in this document is subject to change without notice. Viking Electronics, and its affiliates and/or subsidiaries assume no responsibility for errors and omissions contained in this information. Revisions of this document or new editions of it may be issued to incorporate such changes.