

VIKING PRODUCT MANUAL

SECURITY & COMMUNICATION SOLUTIONS

Single Entry Phone Controller with Call Forwarding and Door Strike Control

The **C-250** allows single line telephones or a telephone system to share a phone line with a single Viking entry phone. Tenants may answer an entry phone call, converse with the visitor and let them in with a touch tone command.

The **C-250** also has a built-in five number dialer to make an outside call if there is no answer on the inside phone. If the outside call is busy or ring no answer, the **C-250** can call up to four more numbers.

The **C-250** provides a "Call Waiting" tone when the phone line is in use. Tenants may also call out to the entry phone for monitoring purposes.



Features

- Allows single line telephones or a telephone system to share a phone line with a Viking entry phone
- Double burst ring pattern allows you to distinguish entry phone calls from CO calls
- Built-in five number dialer
- Detects busy or ring no answer and goes onto the next number
- Built-in door strike relay with 1 or 2 digit commands
- Remote programming
- Auto answer
- Detects touch tones as fast as 50 milliseconds
- Trigger input for postal lock, Request to Exit (REX) or immediate call forwarding
- Produces "Call Waiting" tones if the entry phone is activated when the house phones are already on a call
- Compatible with any Viking **E** Series or **K** Series analog entry phone or use with any standard analog phone

Applications

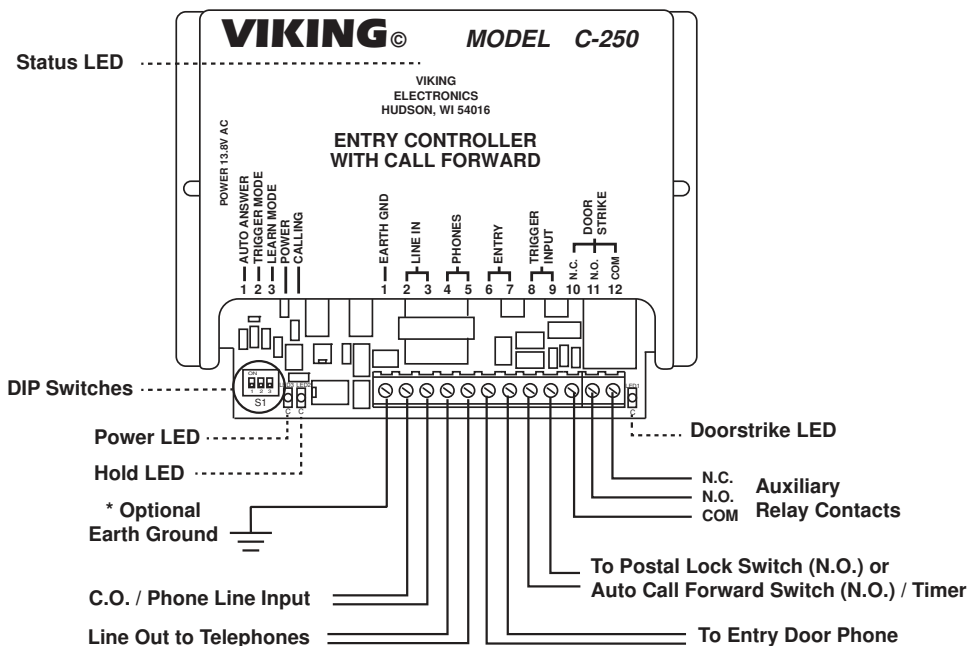
- Add an entry phone to your standard home or office phones to provide door communication
- Provide commercial or residential security via two-way handsfree communication at the door or gate
- Connects in series with a single phone line or with a phone system's line/trunk input

www.VikingElectronics.com
Information: 715-386-8861

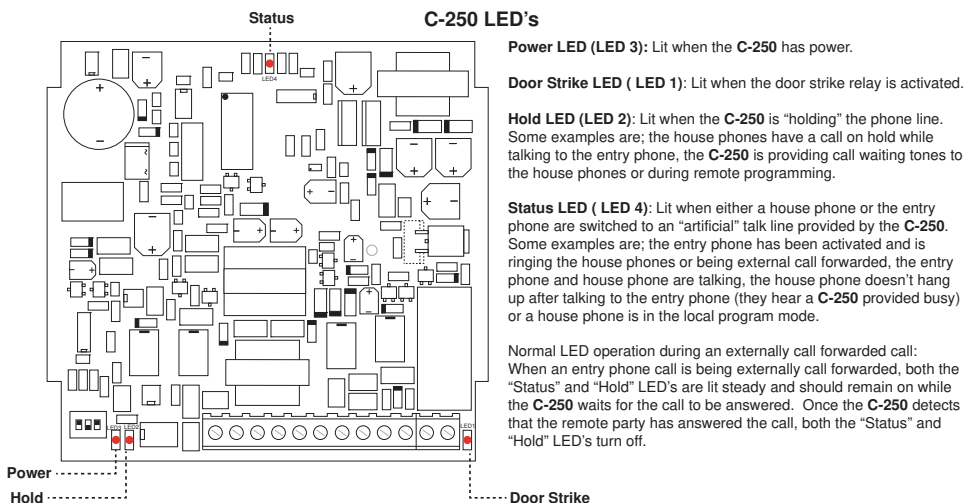
Specifications

- Power:** 120VAC / 13.8VAC 1.25A, UL listed adapter provided
- Dimensions:** 5.25" x 4.1" x 1.75" (133mm x 104mm x 44mm)
- Shipping weight:** 2 lbs. (0.9kg)
- Environmental:** 32°F to 90°F (0°C to 32°C) with 5% to 95% non-condensing humidity
- Ring Output:** 5 REN, capable of ringing (10) 0.5 REN phones
- Talk Battery:** 32V DC
- Relay Contact Rating:** 5A @ 30VDC / 250VAC Maximum
- Connections:** (12) cage clamp screw terminals

Features Overview



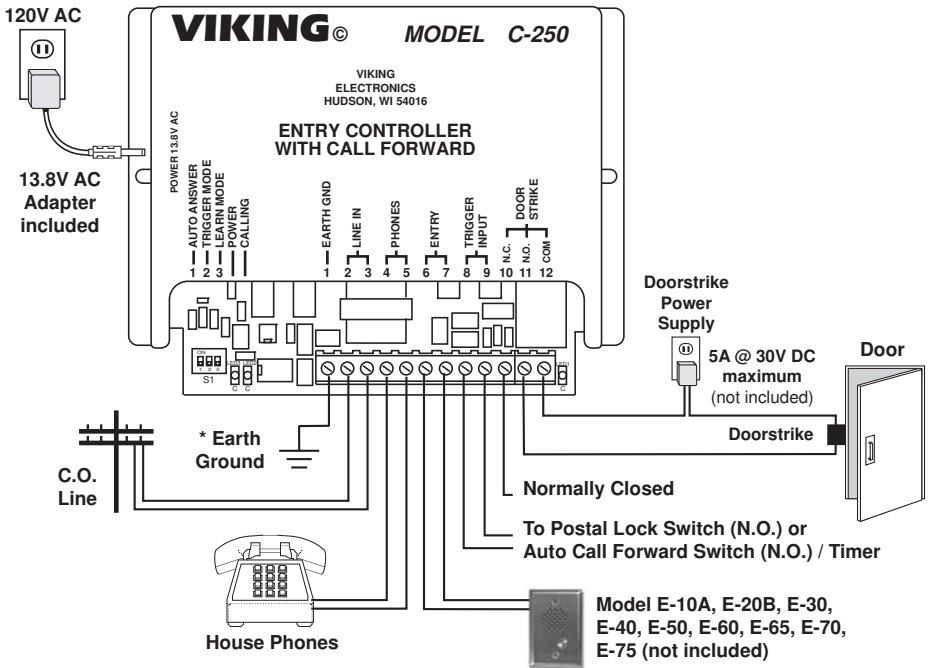
** Note: To increase surge protection, fasten a wire from the screw terminal to Earth Ground (grounding rod, water pipe, etc.)*



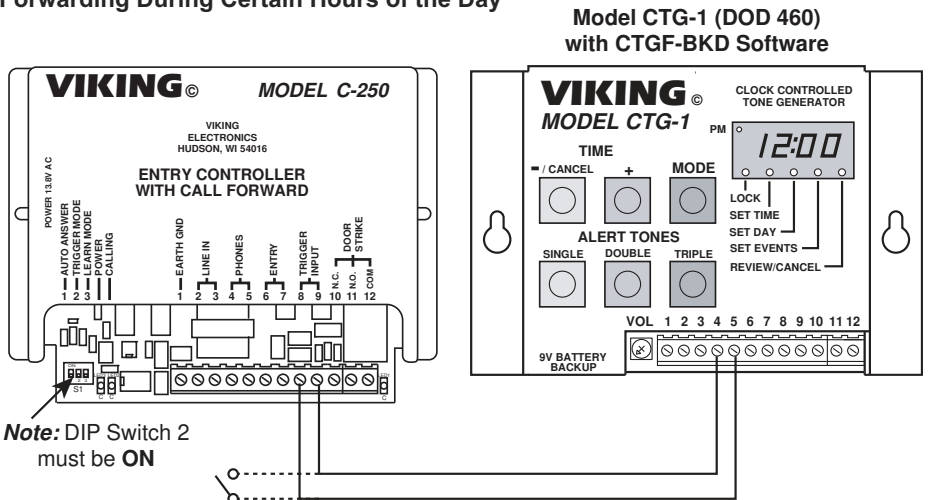
Installation

IMPORTANT: Electronic devices are susceptible to lightning and power station electrical surges from both the AC outlet and the telephone line. It is recommended that a surge protector be installed to protect against such surges.

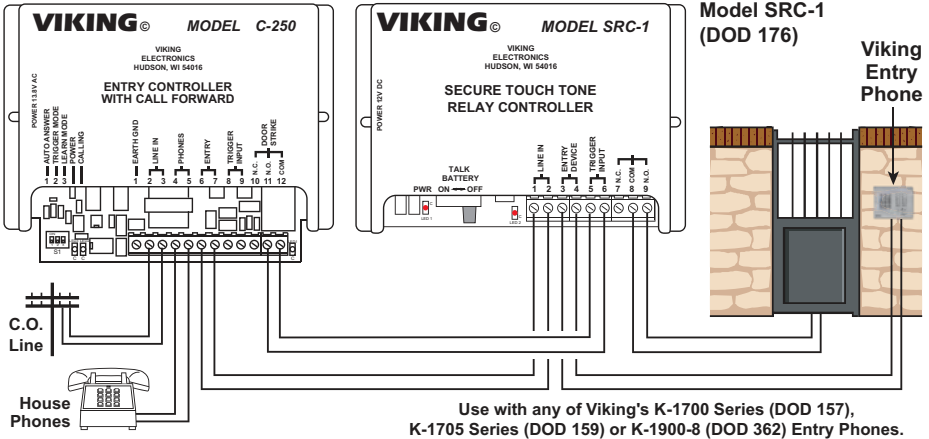
A. Basic Installation



B. Using the C-250 with the CTG-1 or a Toggle Switch for Immediate Call Forwarding During Certain Hours of the Day



C. Add Keyless Entry with a Viking SRC-1



Note: See Application Note DOD 942 for description of operation and programming instructions.

Programming

A. Accessing the Programming Mode

The **C-250** can be programmed from any touch tone phone connected to the house phone port or by calling into the unit from a remote touch tone phone. A 6-digit security code is used to gain access, or set DIP switch 3 to the ON position for immediate access. If a command is entered correctly, 2 beeps will be heard, 3 beeps signal an error.

Once in the remote programming mode if no commands are entered for 20 seconds, you will hear 3 beeps and the programming mode will be terminated. If you do not want to wait 20 seconds, just enter “##7” and the programming mode will be terminated immediately.

1. Local Programming

Step 1	Move DIP switch 3 to ON (Security Code Bypass Mode, see DIP Switch Programming page 6).
Step 2	Come off-hook with any house phone connected to terminals 4 & 5, LINE OUT TO PHONES .
Step 3	A double beep will indicate that you have accessed the programming mode.
Step 4	You can now touch tone program the features listed in Quick Programming Features page 4.
Step 5	When finished programming, hang up and move DIP switch 3 to the OFF position.

2. Remote Programming with the Security Code

Step 1	Move DIP switch 1 to ON .
Step 2	Call into the C-250 from a touch tone phone.
Step 3	After the incoming ring count is met (factory set to 10), the C-250 will answer the line and output a single beep.
Step 4	Enter * followed by the six digit security code (factory set to 845464).
Step 5	A double beep will indicate that you have accessed the programming mode.
Step 6	You can now touch tone program the features listed in Quick Programming Features page 4.
Step 7	When finished programming, hang up.

3. Remote Programming without the Security Code

Step 1	Move DIP switch 1 and 3 to ON .
Step 2	Call into the C-250 from a touch tone phone.
Step 3	After one ring, the C-250 will answer the line and beep two times indicating the C-250 is in the programming mode.
Step 4	You can now touch tone program the features listed in Quick Programming Features page 4.
Step 5	When finished programming, hang up and move DIP switch 3 to the OFF position.

Quick Programming Features (after accessing the Programming Mode)

Description	Enter Digits	+ Location
First Phone Number	1-20 digits (0-9)	+ #00
Second Phone Number	1-20 digits (0-9)	+ #01
Third Phone Number	1-20 digits (0-9)	+ #02
Forth Phone Number	1-20 digits (0-9)	+ #03
Fifth Phone Number	1-20 digits (0-9)	+ #04
To clear any speed dial number	(no digits)	+ #00-#04
Door strike Activation Time (00 - 99 sec, 00 = .5 sec, factory set to 5 sec)	1-2 digits 00 - 99	+ #40
Door Strike Command (blank is disable, factory set to 6)	1 or 2 digits	+ #41
Maximum call time (0 = 30 sec, blank = disable, factory set to 3 mins)	1 - 9 mins	+ #42
Maximum ring time (00 = disabled, factory set to 30 sec)	00 - 59 sec	+ #43
Ring House Phone Count (0 = immediate call forwarding, factory set to 4)	1 - 9	+ #44
Incoming Ring Count (00 disables answer, factory set to 10)	01 - 99	+ #45
Security code (factory set to 845464)	6 digits	+ #47
keyless entry Mode (0 = disable, 1 = enable, factory set 0).....	0 or 1	+ #50
"***" command for Immediate Call Forwarding (0 = disable, 1 = enable, factory set 0)	0 or 1	+ #51
Comcast Mode (see Operation Section F) (0 = disable, 1 = enable, factory set 0).....	0 or 1	+ #52
To add a "*" at any point in the dialing string or door strike code		**
To add a "#" at any point in the dialing string or door strike code		#
To disable "No CO" Mode (factory setting)		*0
To enable "No CO" Mode		*1
To disable "Doorbell" Mode (factory setting)		*2
To enable "Doorbell" Mode		*3
To select a double burst ring pattern (factory setting)		*4
To select a single ring pattern		*5
To actuate the door strike relay.....		*6
To add a four second pause at any point in the dialing string		*7
To add a one second pause at any point in the dialing string		*8
Ignore touch tones for programming entry phone		#1
To reset all programming to factory default settings.....		###
Exit Programming		#7

The following commands are used during normal operation

Enable Immediate Call Forward Mode	***
Disable Immediate Call Forward Mode (factory setting)	###

C. Speed Dial Numbers (Memory Locations #00 to #04)

Note: Up to 20 digits can be stored in each dial position. Special features such as one and four second pauses, and touch tone * and # count as a single digit.

The speed dial number stored in location #00 is the first outside number that will be dialed if the door phone goes off hook and the house phone does not answer within the ring count set by location #44. Additional speed dial numbers will be dialed if there is no answer or a busy at the first number. Each number is called only once. If all numbers are called without an answer, the **C-250** will generate a CPC signal and then a busy signal will be sent to the door phone. To clear a speed dial number position, simply enter a # and the location number (00 to 04), without any preceding numbers. If no numbers are programmed, the **C-250** will only call the house phone.

D. Door Strike Activation Time (Memory Location #40)

The value stored in the Door Strike Activation Time is the amount of time the door strike relay will be energized after a correct touch tone command is entered or the trigger input is activated. This two digit number can range from 01 to 99 seconds, or enter 00 for 0.5 seconds. The factory setting is 5 seconds.

E. Door Strike Command (Memory Location #41)

The one or two digit code stored in the Door Strike Command is the touch tone command that the person being called must enter on their touch tone phone in order to actuate the door strike. The code can contain the numbers 1 to 9, 0, *, # or any two digit combinations. To disable this feature enter #41 without any preceding digits. The code must be entered while the house phone or the remote phone is connected to the door phone.

The **C-250** determines which direction the touch tone is coming from and only responds to touch tones from the called phone. Because of this, single digit codes must be a minimum of 100 msec in duration. Some cell phones can only produce fast touch tones (< 100 msec). If using one of these phones, program a two digit Door Strike Command. When two digits are programmed, the entry phone will be dropped after the first digit, so the **C-250** can be sure the second digit is coming from the called phone. With a two digit code, the minimum duration of the tones can be as low as 50msec. The factory setting is 6.

F. Maximum Call Time (Memory Location #42)

The Maximum Call Time can be used to cut off a call that has rolled over to an outside number. The timer starts as soon as the **C-250** is done dialing each number. If the call lasts longer than the time programmed, the phone line will be dropped and a busy signal will be sent to the entry phone. This is useful if a standard telephone is being used for an entry phone and the handset is accidentally left off hook. This one digit number can range from 1 to 9 minutes or enter 0 for 30 seconds. To disable this feature enter #42 without any preceding digits. The factory setting is 3 minutes.

G. Maximum Ring Time (Memory Location #43)

After the **C-250** dials an outside number, it listens to the phone line for busy, ringing, or someone answering at the other end. The Maximum Ring Time is used to limit this process in the event that the **C-250** cannot determine if the call has been answered. If the **C-250** cannot determine that the call has been answered within the Maximum Ring Time, the line will be disconnected and the **C-250** will go onto the next speed dial number. This two digit number can range from 01 to 59 seconds and can be disabled by entering #43 without any preceding digits. As a general rule, allow 6 seconds for each ring you desire at the distant phone. The factory setting is 30 seconds or about 5 rings.

H. Security Code (Memory Location #47)

The security code must be 6 digits long and cannot contain a "*" or "#". The factory default code is "845464" and can be changed in programming by entering 6 digits followed by "#47".

I. Ring House Phone Count (Memory Location #44)

When the door phone comes off hook, the **C-250** will start ringing the house phone. The number of times the house phone will ring is stored in location #44. This value can range from 1 to 9, if blank or 0 is entered, the **C-250** will skip ringing the house phone and immediately start calling the programmed phone numbers. This feature is useful when the user is not at home and they want the fastest connect time to their cell phone. There is also an operational command of *** (see **Operation section B**) and a trigger input (see section **N**, DIP switch 2) that can be used for immediate call forwarding. The factory setting is 4.

J. Incoming Ring Count (Memory Location #45)

The 2 digit number in this location determines how many times a call coming in from the phone line will ring the house phones before the **C-250** answers the call. This number can range from 01 to 99, if blank or 00, the Auto Answer feature of the **C-250** will be disabled. The factory setting is 2.

K. Ignore Touch Tones for Programming Entry Phone (##1)

This feature is useful if you have a entry phone that requires touch tone programming and can answer a ringing line after 1 ring. All Viking Handsfree Entry Phones have this capability. After entering the programming mode, if ##1 is entered, the **C-250** will send a ring signal to the entry phone port. If the device on that port answers the line, the **C-250** will connect it to the calling device (local or remote). If the entry phone does not answer, 3 beeps will be heard and the **C-250** will stay in the programming mode. Once connected to the door phone, the **C-250** no longer reacts to touch tones (except to reset the 20 second programming timer in the remote programming mode). In the remote programming mode, if the 20 second programming timer elapses, the **C-250** will hang up. In any of the other programming modes, the timer is disabled and the **C-250** only watches for the door phone to hang up.

L. "No CO" Mode (*0,*1)

When enabled, this mode allows the **C-250** to be used in installations that do not have an incoming phone line. In this mode, the house phone is connected directly to the internal artificial line. When the house phone comes off hook, the door phone will start to ring. If the door phone has auto answer, the person in the house can monitor any outside activity. Door phone calls are handled the same as in the normal mode except it will not roll over to the phone line if there is no answer at the house phone. To enable this mode, enter "*1" when in programming. To cancel the "No CO" mode, enter "*0".

M. "Door Bell" mode (*2,*3)

If the door strike relay is not being used, it can be configured to operate a door bell. When in this mode, the door strike relay will actuate whenever the door phone goes off hook but only when set to locally ring the house phones. If the **C-250** is in the immediate Call Forward Mode, the **C-250** does not provide the door bell relay. Connect the door bell or chime (and power supply) to the normally open door strike contacts. The door strike relay will energize for a fixed time period of 1 second. To enable this mode, go into programming and enter "*3". To cancel the "Door Bell" mode, enter "*2".

N. Ring Pattern (*4,*5)

In the factory setting (*4), the **C-250** will ring the house phones with a double burst pattern when the door phone goes off hook. This is done so that the person in the house can tell the difference between a visitor at the front door and a regular phone call. In a few instances the double burst pattern may not be detected by some cordless phones. If this is the case, go into programming and enter "*5". This will cause the **C-250** to send a single burst pattern when the door phone goes off hook. To go back to the double burst pattern, go into programming and enter "*4".

3. DIP Switch 3

DIP Switch 3 in the ON position is used to gain access to the programming mode without needing a security code. When the house phone goes off hook, two beeps will be heard signaling that the **C-250** is ready for programming commands. If a call comes in and the auto answer feature is also enabled (DIP Switch 1 ON), the **C-250** will answer the call on the first ring and send 2 beeps. When in the off position, the security code in position #47 has to be used in order to enter programming. This switch needs to be off for normal operation. The factory setting is OFF.

Operation

A. Visitors

When the entry phone goes off hook, the house phones will ring with a distinctive double ring cadence to identify it is a entry phone call (programmable to a single ring cadence). The number entered into programming position #44 determines how many times the house phone will ring from an entry phone call before the call is forwarded using the auto dialing numbers. If no numbers are programmed, the **C-250** will send a CPC signal to automatically hang up the entry phone. All Viking hands free phones are able to detect the CPC signal and hang up. If the **C-250** senses that the entry phone has not dropped off, it will send a busy signal. If auto dial numbers are programmed, it will dial the first one and watch for a busy or no answer for the duration of the Maximum Ring time. If this time elapses and the **C-250** has not determined the call has been answered, it assumes that the call was not answered and goes on to the next speed dial number. If all numbers are called without an answer, the **C-250** will send a CPC signal to hang up the entry phone. The Maximum Call Time is started as soon as the **C-250** is done dialing each number. If this timer elapses, that call is terminated and no further numbers are dialed.

B. Immediate Call Forward

The entire sequence of the house phone ringing when the entry phone goes off hook can be skipped. This is useful if the user will not be at home and wants the **C-250** to skip ringing the house phone and immediately forward all entry calls to the programmed phone numbers. There are several ways to do this. The first is to clear the house phone ring count or set it to 0 in programming position #44. This can only be done in the programming mode, but can be done locally or remotely if auto answer (DIP Switch 1) is on. The second way is to go off hook with any house phone and enter *******. Two confirmation beeps are heard, and the **C-250** is placed in the Immediate Call Forward mode. With this mode enabled, each time the house phone goes off hook, a single beep will be heard in order to let the user know that this mode is on. To cancel the Immediate Call Forward mode, pick up the house phone and enter **###**. Two beeps will be heard letting the user know the Immediate Call Forward mode has been cancelled. These immediate call forward commands must be entered within 5 seconds of off hook. The third and final way is to provide a contact closure across the trigger input (DIP switch 2 must be ON). **Note:** **** activation of this feature can be disabled if users are accidentally entering *** while trying to retrieve voice messages, unintentionally activating immediate call forwarding. In programming, enter 1#51 to disable the feature. Immediate call forwarding can still be activated in one of the remaining two ways described in the above paragraph. Enter 0#51 in programming re-enables *** activation of immediate call forwarding.*

C. Monitoring or Receiving Door Phone Calls

If the tenant wants to monitor the entry phone, they can pick up any phone in the house and hook flash within 5 seconds. This will cause the **C-250** to ring the entry phone up to 5 times. Hook flashes after the 5 second time out will be passed along to the CO line. This is useful for using standard CO call waiting features. If the tenant is on an outside call, and the entry phone comes off hook, a call waiting tone will be heard every 12 seconds. The tenant can then hook flash to put the CO call on hold and connect to the entry phone. When the conversation with the person at the door is done, the tenant can return to the original caller with another hook flash. If using a 2 digit door strike code, the entry phone will be dropped after the first digit.

D. Activating the Door Strike Relay

Anytime the house phone is connected to the entry phone, the tenant can actuate the door strike by entering the door strike command on their touch tone keypad. The **C-250** determines if the touch tones are coming from the house phone or the entry phone and only accepts commands from the house phone. Once a valid command is detected, the door strike relay will actuate for the amount of programmed Door Strike Activation time. If an invalid command is entered, wait a few seconds and try again. The **C-250** will wait 3 seconds after any touch tone entered to assure no more tones are coming, then it looks for a command match. The **C-250** can be programmed to handle either a 1 digit or 2 digit Door Strike Command (position #41). If a single digit is being used, the minimum touch tone length is 100 milliseconds. During this time the **C-250** must determine if the touch tone is coming from the entry phone or the called party. If the **C-250** is having trouble detecting touch tones from a remote phone because the tones are too fast, use a 2 digit door strike command. When using 2 digits, the touch tones can be as fast as 50 milliseconds, but the entry phone will be dropped after the first digit is detected. The **C-250** can then be sure that the touch tones are coming from the called phone.

E. Trigger Input

The **C-250** has a Trigger Input for an external Postal Lock switch, or a Request to Exit (REX) switch. The switch must have a momentary, normally open contact. Once the **C-250** detects a contact closure on terminal positions 8 and 9, the door strike will be energized for the amount of programmed Door Strike Activation Time. If the contact is still made after the programmed time is up, the **C-250** will re-energize the door strike relay and go through another Door Strike timing cycle.

If DIP Switch 2 is in the ON position, the Trigger Switch input now controls whether or not the house phone will ring when the entry phone goes off hook. If the Trigger Input is shorted, the house phone ringing will be skipped (Immediate Call Forward Mode), if open, the **C-250** will ring the house phone when the entry phone goes off hook. The touch tone command ******* overrides the status of the Trigger Input when DIP Switch 2 is ON.

F. Dialing “#” on Comcast Lines

On some Comcast lines, dialing a # when connected to the Central Office causes the CO to produce a short break in the line, appearing to the **C-250** as a command to ring the entry phone. This problem can be corrected by enabling the Comcast mode. In programming, dial **1#52**. With the mode enabled, the **C-250** will quickly switch from the CO line over to the artificial line when the first touch tone dialed is a #, allowing entry of # without ringing the entry phones. To disable the Comcast mode, dial **0#52** in programming.

Compatible Products

E-10A and E-20B Phone Line Powered Speaker Phones

The **E-10A** and **E-20B** are telephone line powered speaker phones designed to provide two-way handsfree communication. For outdoor or harsh environments, the **E-10A** and **E-20B** are available with Enhanced Weather Protection (**EWP**). For more information on the **E-10A** or **E-20B**, see **DOD 210**.



Model E-10A



Model E-20B

E-40 Compact Entry Phones Available in Four Attractive Finishes



E-40-SS
 "Brushed Stainless Steel" (similar to brushed nickel)



E-40-BN
 "Oil Rubbed Bronze" (satin dark brown powder paint with fine copper metallic)



E-40-WH
 "Satin White" (satin white powder paint)



E-40-BK
 "Satin Black" (fine texture satin black powder paint)

The **E-40** Series Entry phones are compact, weather and vandal resistant, telephone line powered speaker phones designed to provide two-way handsfree communication. The **E-40**'s compact size allows it to be mounted in a standard single gang electrical box. The **E-40** is available in four different attractive finishes to match your door hardware, light fixtures, etc. For more information on the **E-40**, see **DOD 187**.

E-50 Compact Video Entry Phones Available in Four Attractive Finishes



E-50-SS
 "Brushed Stainless Steel" (similar to brushed nickel)



E-50-BN
 "Oil Rubbed Bronze" (satin dark brown powder paint with fine copper metallic)



E-50-WH
 "Satin White" (satin white powder paint)



E-50-BK
 "Satin Black" (fine texture satin black powder paint)

The **E-50** Series Video Entry phones are compact, weather and vandal resistant speaker phones designed to provide two-way handsfree audio communication and color composite video of who is at your door or gate. The **E-50**'s compact size allows it to be mounted in a standard single gang electrical box. The **E-50** is available in five different attractive finishes to match your door hardware, light fixtures, etc. For more information on the **E-50**, see **DOD 191**.

E-30/E-35 Handsfree Speaker Phones with Dialer

The **E-30** handsfree phone is designed to provide quick and reliable handsfree communication. The **E-35** shares the same features as the **E-30** with a built-in color video camera. The **E-30-EWP** shares all of the features of the **E-30** in addition to Enhanced Weather Protection (EWP) for installation in harsh environments. For more information on the **E-30**, see **DOD 212**.



Model E-30



Model E-35
 (with built-in camera)

Warranty

IF YOU HAVE A PROBLEM WITH A VIKING PRODUCT, CONTACT: VIKING TECHNICAL SUPPORT AT 715-386-8666

Our Technical Support Department is available for assistance Monday through Friday 8am - 5pm central time. So that we can give you better service, before you call please:

1. Know the model number, the serial number and what software version you have (see serial label).
2. Have your Product Manual in front of you.
3. It is best if you are on site.

RETURNING PRODUCT FOR REPAIR

The following procedure is for equipment that needs repair:

1. Customer must contact Viking's Technical Support Department at 715-386-8666 to obtain a Return Authorization (RA) number. The customer MUST have a complete description of the problem, with all pertinent information regarding the defect, such as options set, conditions, symptoms, methods to duplicate problem, frequency of failure, etc.
2. Packing: Return equipment in original box or in proper packing so that damage will not occur while in transit. Static sensitive equipment such as a circuit board should be in an anti-static bag, sandwiched between foam and individually boxed. All equipment should be wrapped to avoid packing material lodging in or sticking to the equipment. Include ALL parts of the equipment. C.O.D. or freight collect shipments cannot be accepted. Ship cartons prepaid to: **Viking Electronics, 1531 Industrial Street, Hudson, WI 54016**
3. Return shipping address: Be sure to include your return shipping address inside the box. We cannot ship to a PO Box.
4. RA number on carton: In large printing, write the R.A. number on the outside of each carton being returned.

RETURNING PRODUCT FOR EXCHANGE

The following procedure is for equipment that has failed out-of-box (within 10 days of purchase):

1. Customer must contact Viking's Technical Support at 715-386-8666 to determine possible causes for the problem. The customer MUST be able to step through recommended tests for diagnosis.
2. If the Technical Support Product Specialist determines that the equipment is defective based on the customer's input and troubleshooting, a Return Authorization (R.A.) number will be issued. This number is valid for fourteen (14) calendar days from the date of issue.
3. After obtaining the R.A. number, return the approved equipment to your distributor, referencing the R.A. number. Your distributor will then replace the Viking product using the same R.A. number.
4. **The distributor will NOT exchange this product without first obtaining the R.A. number from you. If you haven't followed the steps listed in 1, 2 and 3, be aware that you will have to pay a restocking charge.**

TWO YEAR LIMITED WARRANTY

Viking warrants its products to be free from defects in the workmanship or materials, under normal use and service, for a period of two years from the date of purchase from any authorized Viking distributor. If at any time during the warranty period, the product is deemed defective or malfunctions, return the product to Viking Electronics, Inc., 1531 Industrial Street, Hudson, WI., 54016. Customer must contact Viking's Technical Support Department at 715-386-8666 to obtain a Return Authorization (R.A.) number.

This warranty does not cover any damage to the product due to lightning, over voltage, under voltage, accident, misuse, abuse, negligence or any damage caused by use of the product by the purchaser or others. This warranty does not cover non-EWP products that have been exposed to wet or corrosive environments. This warranty does not cover stainless steel surfaces that have not been properly maintained.

NO OTHER WARRANTIES. VIKING MAKES NO WARRANTIES RELATING TO ITS PRODUCTS OTHER THAN AS DESCRIBED ABOVE AND DISCLAIMS ANY EXPRESS OR IMPLIED WARRANTIES OR MERCHANTABILITY OR FITNESS FOR ANY PARTICULAR PURPOSE.

EXCLUSION OF CONSEQUENTIAL DAMAGES. VIKING SHALL NOT, UNDER ANY CIRCUMSTANCES, BE LIABLE TO PURCHASER, OR ANY OTHER PARTY, FOR CONSEQUENTIAL, INCIDENTAL, SPECIAL OR EXEMPLARY DAMAGES ARISING OUT OF OR RELATED TO THE SALE OR USE OF THE PRODUCT SOLD HEREUNDER.

EXCLUSIVE REMEDY AND LIMITATION OF LIABILITY. WHETHER IN AN ACTION BASED ON CONTRACT, TORT (INCLUDING NEGLIGENCE OR STRICT LIABILITY) OR ANY OTHER LEGAL THEORY, ANY LIABILITY OF VIKING SHALL BE LIMITED TO REPAIR OR REPLACEMENT OF THE PRODUCT, OR AT VIKING'S OPTION, REFUND OF THE PURCHASE PRICE AS THE EXCLUSIVE REMEDY AND ANY LIABILITY OF VIKING SHALL BE SO LIMITED.

IT IS EXPRESSLY UNDERSTOOD AND AGREED THAT EACH AND EVERY PROVISION OF THIS AGREEMENT WHICH PROVIDES FOR DISCLAIMER OF WARRANTIES, EXCLUSION OF CONSEQUENTIAL DAMAGES, AND EXCLUSIVE REMEDY AND LIMITATION OF LIABILITY, ARE SEVERABLE FROM ANY OTHER PROVISION AND EACH PROVISION IS A SEPARABLE AND INDEPENDENT ELEMENT OF RISK ALLOCATION AND IS INTENDED TO BE ENFORCED AS SUCH.

FCC REQUIREMENTS

This equipment complies with Part 68 of the FCC rules and the requirements adopted by the ACTA. On the side of this equipment is a label that contains, among other information, a product identifier in the format US:AAAEQ##TXXXX. If requested, this number must be provided to the telephone company.

The REN is used to determine the number of devices that may be connected to a telephone line. Excessive REN's on a telephone line may result in the devices not ringing in response to an incoming call. In most but not all areas, the sum of the REN's should not exceed five (5.0) To be certain of the number of devices that may be connected to a line, as determined by the total REN's, contact the local telephone company. For products approved after July 23, 2001, the REN for this product is part of the product identifier that has the format US:AAAEQ##TXXXX. The digits represented by ## are the REN with a decimal point (e.g., 03 is a REN of 0.3). For earlier products, the REN is separately shown on the label.

The plug used to connect this equipment to the premises wiring and telephone network must comply with the applicable FCC Part 68 rules and requirements adopted by the ACTA. If your home has specially wired alarm equipment connected to the telephone line, ensure the installation of this **C-250** does not disable your alarm equipment. If you have questions about what will disable alarm equipment, consult your telephone company or a qualified installer.

If the **C-250** causes harm to the telephone network, the telephone company will notify you in advance that temporary discontinuance of service may be required. But if advance notice isn't practical, the telephone company will notify the customer as soon as possible. Also, you will be advised of your right to file a complaint with the FCC if you believe it is necessary.

The telephone company may make changes in its facilities, equipment, operations, or procedures that could affect the operation of the equipment. If this happens, the telephone company will provide advance notice in order for you to make the necessary modifications to maintain uninterrupted service.

If trouble is experienced with the C-250, for repair or warranty information, please contact:

Viking Electronics, Inc., 1531 Industrial Street, Hudson, WI 54016 (715) 386-8666

If the equipment is causing harm to the telephone network, the telephone company may request that you disconnect the equipment until the problem is resolved.

Connection to Party Line Service is subject to State Tariffs. Contact the state public utility commission, public service commission or corporation commission for information.

WHEN PROGRAMMING EMERGENCY NUMBERS AND (OR) MAKING TEST CALLS TO EMERGENCY NUMBERS:

Remain on the line and briefly explain to the dispatcher the reason for the call. Perform such activities in the off-peak hours, such as early morning or late evenings.

It is recommended that the customer install an AC surge arrester in the AC outlet to which this device is connected. This is to avoid damaging the equipment caused by local lightning strikes and other electrical surges.

PART 15 LIMITATIONS

This equipment has been tested and found to comply with the limits for a Class A digital device, pursuant to Part 15 of the FCC Rules. These limits are designed to provide reasonable protection against harmful interference when the equipment is operated in a commercial environment. This equipment generates, uses, and can radiate radio frequency energy and, if not installed and used in accordance with the instruction manual, may cause harmful interference to radio communications. Operation of this equipment in a residential area is likely to cause harmful interference in which case the user will be required to correct the interference at his own expense.

Due to the dynamic nature of the product design, the information contained in this document is subject to change without notice. Viking Electronics, and its affiliates and/or subsidiaries assume no responsibility for errors and omissions contained in this information. Revisions of this document or new editions of it may be issued to incorporate such changes.